

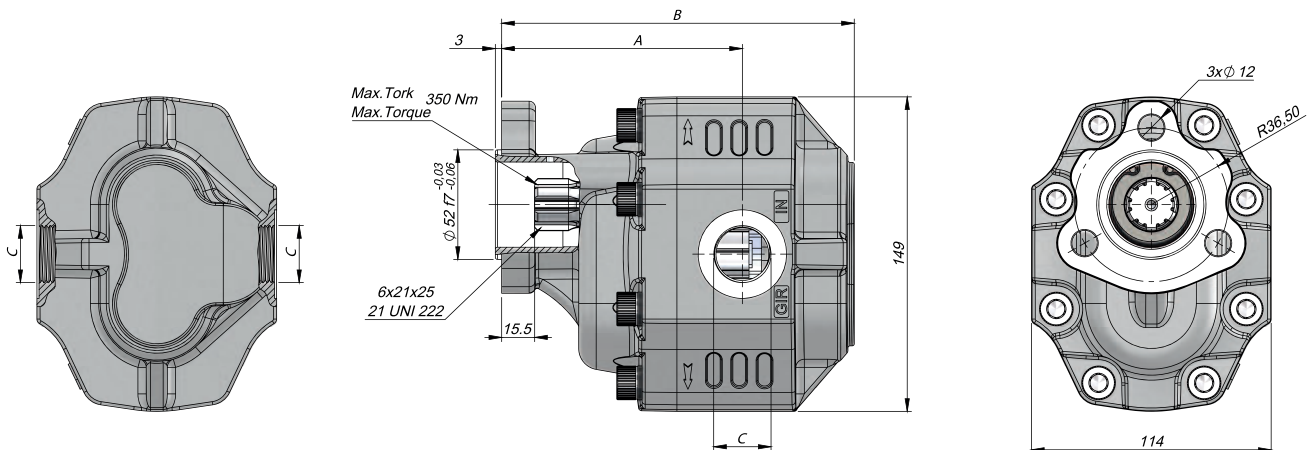
TECHNICAL DATA

30 SERIES 3 HOLES UNI BI-DIRECTIONAL GEAR PUMP



HYDRAULIC SYMBOL

Inlet Pressure		0.7÷ 1.5 bar	
Operating Viscosity Range		-12:100 cSt	
Fluid Temperature		-10 °C+80 °C	
Working Pressure	Contamination		Filter
	NAS 1638	ISO 4406	$\beta_x=75$
≥ 200 bar	11	20/17	25 μm
≤ 200 bar	12	21/18	40 μm



Code	Displacement	Max.Continuous Pressure	Max.Intermittent Pressure	Max.Peak Pressure	Max.Continuous Speed	Max.Intermittent Speed	Min.Speed	A	B	Inlet	Outlet
BI-DIRECTIONAL	(cm ³ /rev)	(100%)(BAR)	(20 sec.max.)(BAR)	(6 sec.max.)(BAR)	(RPM)	(RPM)	(RPM)	(mm)	(mm)	C	C
KH01020170232B-2	17	300	310	320	2600	3000	300	103	150	G1/2"	G1/2"
KH01020270232B-2	27	290	300	310				108	156		
KH01020340232B-2	34	285	295	305	2300	2900		109	161	G3/4"	G3/4"
KH01020430232B-2	43	280	290	300				114	167		
KH01020510232B-2	51	230	260	280	2100	2600					
KH01020610232B-2	61	225	240	260				2000	2100		
KH01020820232B-2	82	200	210	220	1700	1900				124.5	191
KH01021000232B-2	100	190	200	220				1600	1900	138.5	204
KH01021250232B-2	125	170	190	200	142.5	220	G1 1/4"			G1 1/4"	

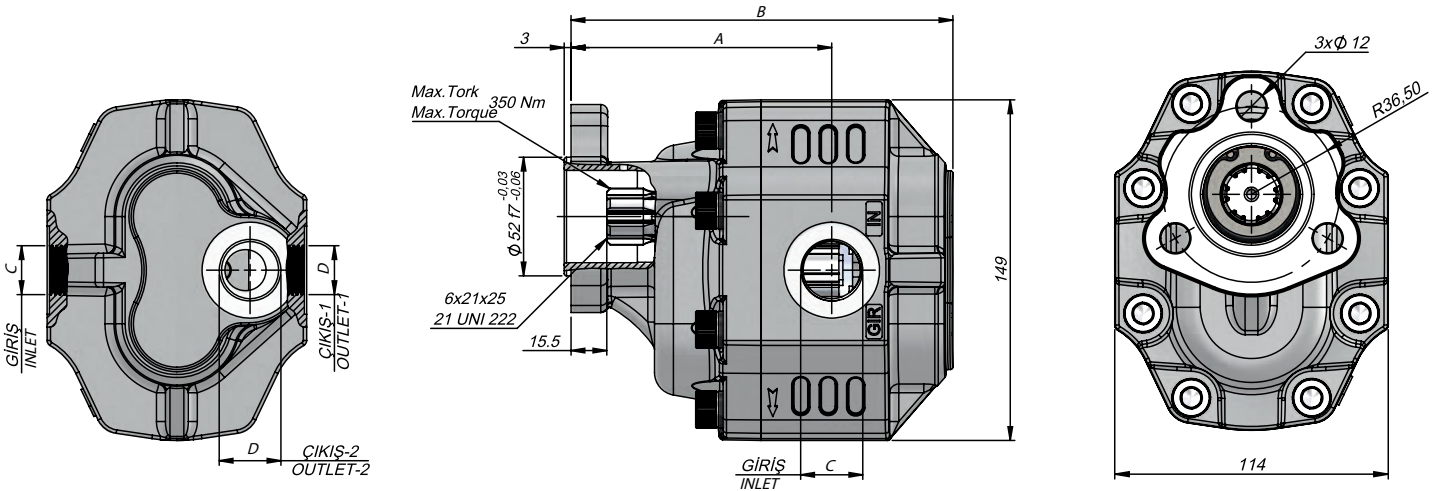
TECHNICAL DATA

30 SERIES 3 HOLES UNI SINGLE DIRECTIONAL GEAR PUMP

Inlet Pressure		0.7÷ 1.5 bar	
Operating Viscosity Range		-12:100 cSt	
Fluid Temperature		-10 °C+80 °C	
Working Pressure	Contamination		Filter
	NAS 1638	ISO 4406	$\beta_x=75$
≥ 200 bar	11	20/17	25 μm
≤ 200 bar	12	21/18	40 μm



HYDRAULIC SYMBOL



Code	Displacement	Max.Continuous Pressure	Max.Intermittent Pressure	Max.Peak Pressure	Max.Continuous Speed	Max.Intermittent Speed	Min.Speed	A	B	Inlet	Outlet
Left (L) / Right (R)	(cm ³ /rev)	(100%)(BAR)	(20 sec.max.)(BAR)	(6 sec.max.)(BAR)	(RPM)	(RPM)	(RPM)	(mm)	(mm)	C	D
KH01020170252L/R-2	17	300	310	320	2600	3000	300	103	150	G1/2"	G1/2"
KH01020270252L/R-2	27	290	300	310				108	156		
KH01020340252L/R-2	34	285	295	305	2300	2900		109	161	G3/4"	G3/4"
KH01020430252L/R-2	43	280	290	300	2100	2600		114	167	G1"	
KH01020510252L/R-2	51	230	260	280				114	172		
KH01020610252L/R-2	61	225	240	260	2000	2100		120.5	180	G1 1/4"	G1" G3/4" (Alternative)
KH01020820252L/R-2	82	200	210	220	1700	1900		124.5	191		
KH01021000252L/R-2	100	190	200	220			1600	1900	138.5	204	
KH01021250252L/R-2	125	170	190	200	142.5	220					

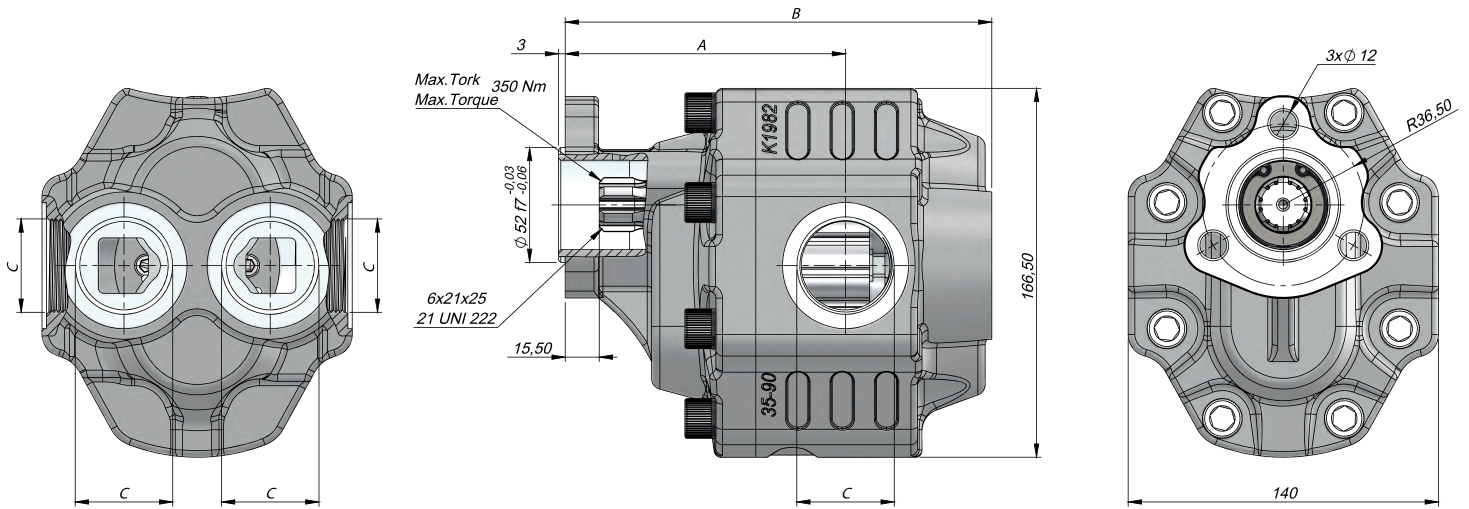
TECHNICAL DATA

35 SERIES 3 HOLES UNI BI-DIRECTIONAL GEAR PUMP

Inlet Pressure		0.7÷ 3 bar	
Operating Viscosity Range		-12:100 cSt	
Fluid Temperature		-10 °C+80 °C	
Working Pressure	Contamination		Filter
	NAS 1638	ISO 4406	$\beta_x=75$
≥ 200 bar	11	20/17	25 μm
≤ 200 bar	12	21/18	40 μm



HYDRAULIC SYMBOL



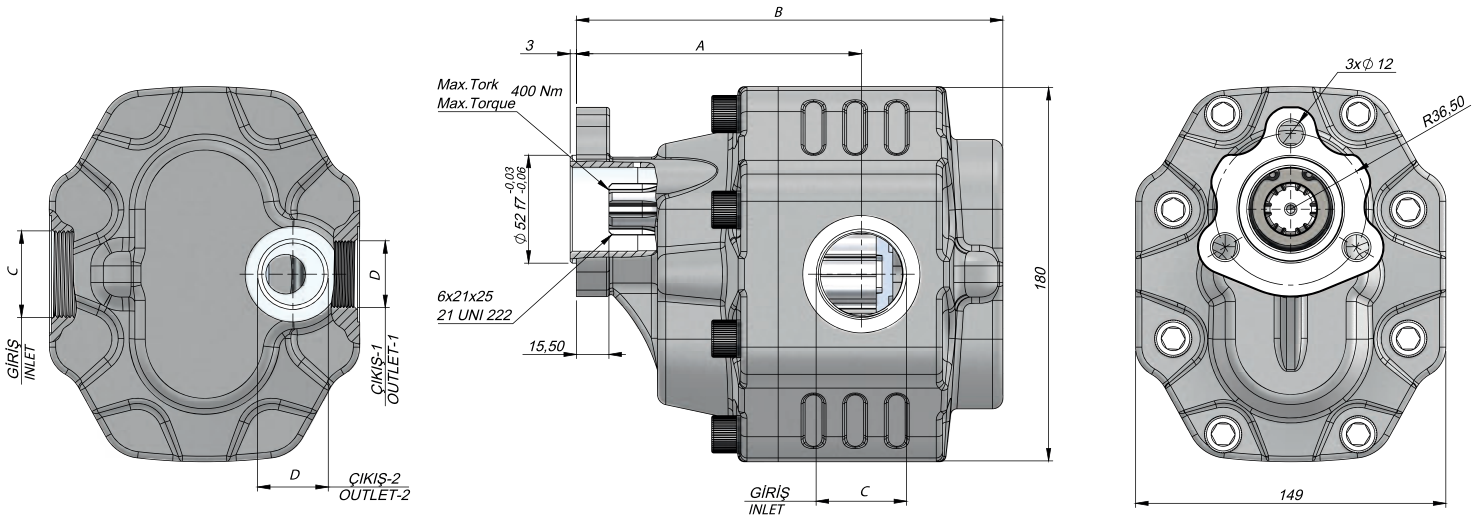
Code	Displacement	Max.Continuous Pressure	Max.Intermittent Pressure	Max.Peak Pressure	Max.Continuous Speed	Max.Intermittent Speed	Min.Speed	A	B	Inlet	Outlet
BI-DIRECTIONAL	(cm ³ /rev)	(100%)(BAR)	(20 sec.max.)(BAR)	(6 sec.max.)(BAR)	(RPM)	(RPM)	(RPM)	(mm)	(mm)	C	C
KH01030600222B-2	60	250	270	290	1800	2500	300	120.5	179.5	G1"	
KH01030820222B-2	82	240	260	280				122.5	188.5	G1 1/4" (G1" Alternative)	
KH01030900222B-2	90	230	250	270				126.5	192.5	G1 1/4"	
KH01031000222B-2	100	220	240	260				127.5	202.5		
KH01031100222B-2	110	205	220	250				129	204.5		
KH01031250222B-2	125	195	215	230				132.5	215		

TECHNICAL DATA

40 SERIES 3 HOLES UNI SINGLE DIRECTIONAL GEAR PUMP



Inlet Pressure		0.7÷ 3 bar	
Operating Viscosity Range		-12:100 cSt	
Fluid Temperature		-10 °C+80 °C	
Working Pressure	Contamination		Filter
	NAS 1638	ISO 4406	$\beta_x=75$
≥ 200 bar	11	20/17	25 μm
≤ 200 bar	12	21/18	40 μm



Code	Displacement	Max.Continuous Pressure	Max.Intermittent Pressure	Max.Peak Pressure	Max.Continuous Speed	Max.Intermittent Speed	Min.Speed	A	B	Inlet	Outlet
Left (L) / Right (R)	(cm ³ /rev)	(100%)(BAR)	(20 sec.max.)(BAR)	(6 sec.max.)(BAR)	(RPM)	(RPM)	(RPM)	(mm)	(mm)	C	D
KH01040630252L/R-2	63	280	310	330	1800	2800	300	127	188	G1"	G3/4"
KH01040730252L/R-2	73	275	300	320				127	192		
KH01040870252L/R-2	87	265	285	300				131	197	G1 1/4"	
KH01041090252L/R-2	109	240	260	285	137	205					
KH01041330252L/R-2	133	230	250	270	1500	2500	300	138	214	G1 1/2"	G1"
KH01041510252L/R-2	151	180	200	230				140.5	220		